

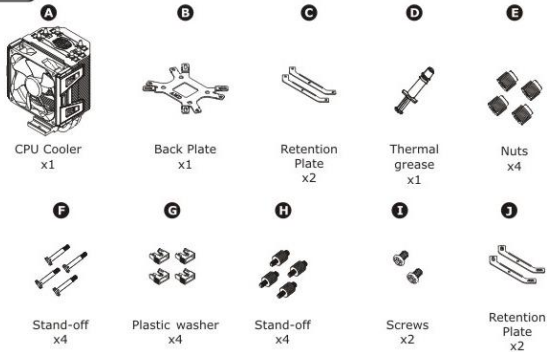


Hyper 103 User Manual

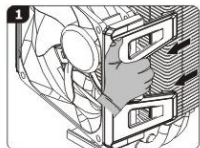
510008710-GP
Ver1.0 2013/04

Check the following items in your package. Contact your retailer if any item is damaged or missing.

Parts



Remove Fan



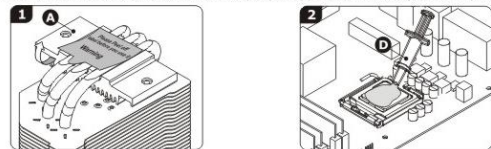
Remove the fan by gently release the clip.

CAUTION

- Be careful of the sharp edges to avoid injury.
- Keep away from the reach of children.

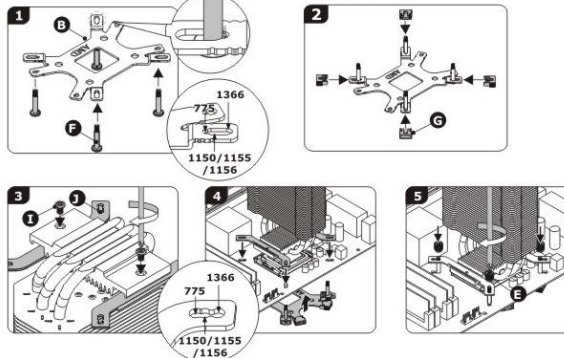
Installation Procedures

Before installation, please select the proper type suitable for your CPU platform.



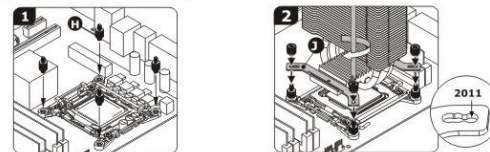
1. Before use, please remove the protective layer on the bottom of the cooler.
2. Apply a thin layer of thermal grease onto the surface of the cooler base.
3. There are three different sets of holes available for Intel sockets (LGA 2011 / 1366 / 1156 / 1155 / 1150 / 775). Please adjust the pin and screw position based on your CPU specification.

Intel Socket LGA 1366 / 1156 / 1155 / 1150 / 775



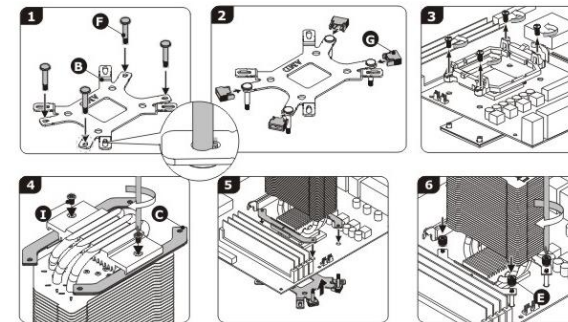
1. Select proper backplate according to your motherboard platform.
2. Select proper mounting brackets corresponding to the Intel socket. Fasten bracket on the cooler with 2 nuts.
3. Place heatsink on the CPU and fasten it with 4 nuts stand-offs.

Intel Socket LGA 2011



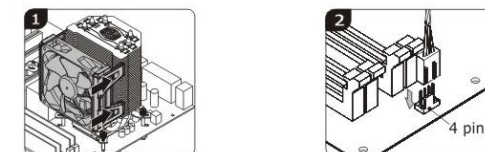
1. Fasten 4 stand-offs screws on the screw holes next to LGA 2011 CPU socket.
2. Select LGA 2011 hole site.
3. Place heatsink on the CPU and Fasten bracket on the cooler with 4 nuts.

AMD Socket FM1/FM2/AM3+/AM3/AM2



1. Remove screws and plastic bracket from AMD motherboard.
2. Fasten AMD bracket on motherboard.
3. Place heatsink on the CPU and fasten it with 4 nuts.

Fan Installation



1. Fan Installation
2. Connect the power cable.

- Pictures are for reference only
- Information in this document is subject to change without notice

In no event shall Cooler Master be liable for any special, indirect, incidental or consequential damages arising from any defect or error in this manual or product.

Global Live Help
<http://www.cooler-master.com/livehelp>

For the most updated information, please visit our official website: <http://www.cooler-master.com>

